

We recommend

## ARCA-SWISS QuickLink

Finally a professional solution that eliminates the tedious fixing of the tripod head.

ARCA-SWISS presents the new tripod mounting QuickLink. The combination of a mounting plate for the tripod and an insert plate which is attached to the tripod head makes attaching and detaching the tripod head child's play. The installed plates can thus be left permanently on the tripod or on the tripod head.

By means of a solid bayonet, the tripod head with its insert plate is placed into the mounting plate and securely fixed by a knurled rotating ring.



## ARCA-SWISS

### monoball®p1+



## ARCA-SWISS

### monoball®p0+



© Copyright, including translations by ARCA-SWISS® International



ARCA-SWISS International  
29 quartier de l'Europe  
FR-25048 Besançon  
support@arca-swiss.com  
Tel : + 0033 381 85 40 60



## Congratulations on your purchase of the latest monoball®p+ from ARCA-SWISS.

The legendary monoball® tripod head series with an aspherical ball.

Please note that the knurled wheel to lock the monoball does need some vertical play to function properly !

Your monoball®p+ needs no maintenance and will serve you for many years.

If the monoball is not moving as smoothly, clean the ball with a soft cloth and alcohol. However, please make sure that sand and dust do not enter the housing.

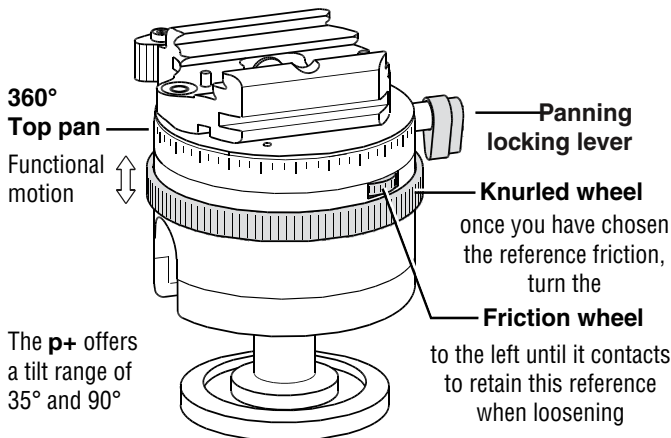
DO NOT USE ANY LUBRICANTS as this would impair proper function!

### User manual - new friction unit

The knurled wheel is used to lock the ball into position, to set any specific friction and the minimum friction according to individual requirement. If the knurled wheel is turned clockwise, the friction increases and eventually will lock the ball into position. In order to loosen the ball, turn the friction wheel counter-clockwise. (Please note: Do not attempt to force the knurled wheel beyond the minimum friction, as this can block the wheel).

If you wish to alter the minimum friction (e.g. for regular use of heavier cameras), turn the knurled wheel until the desired minimum friction is obtained and direct the friction wheel clockwise down to the stop with your thumb. The knurled wheel can now no longer be loosened beyond this point.

If more than one camera is to be used on your Monoball®, set the minimum friction to match the lightest camera and turn the scale to the zero position.



#### ATTENTION !

Do not force the knurled wheel backwards, (counter-clockwise) as this may lead to a freeze-up of the ball.

To correct this, turn the knurled wheel forwards (clockwise) then back out the friction wheel counter-clockwise and re-loosen the knurled wheel counter-clockwise.

(When friction wheel is engaged, the knurled wheel will not loosen past set friction point).

Like all tripod heads from ARCA-SWISS, **monoball p0+** and **p1+** are available with a choice of **quick release** :

monoball®Fix

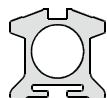


monoball®Fix camera plate



ARCA-SWISS-

monorail unit



classic



monoball®Classic camera plate



flipLock®



monoball®Classic camera plate

