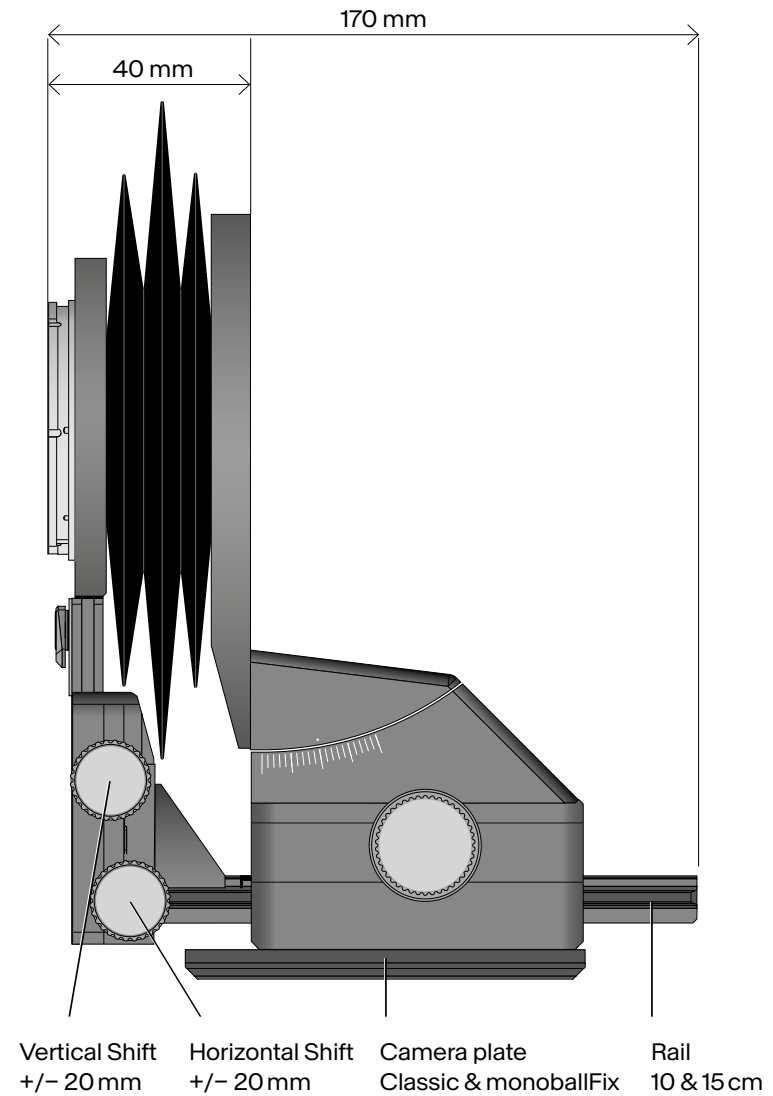
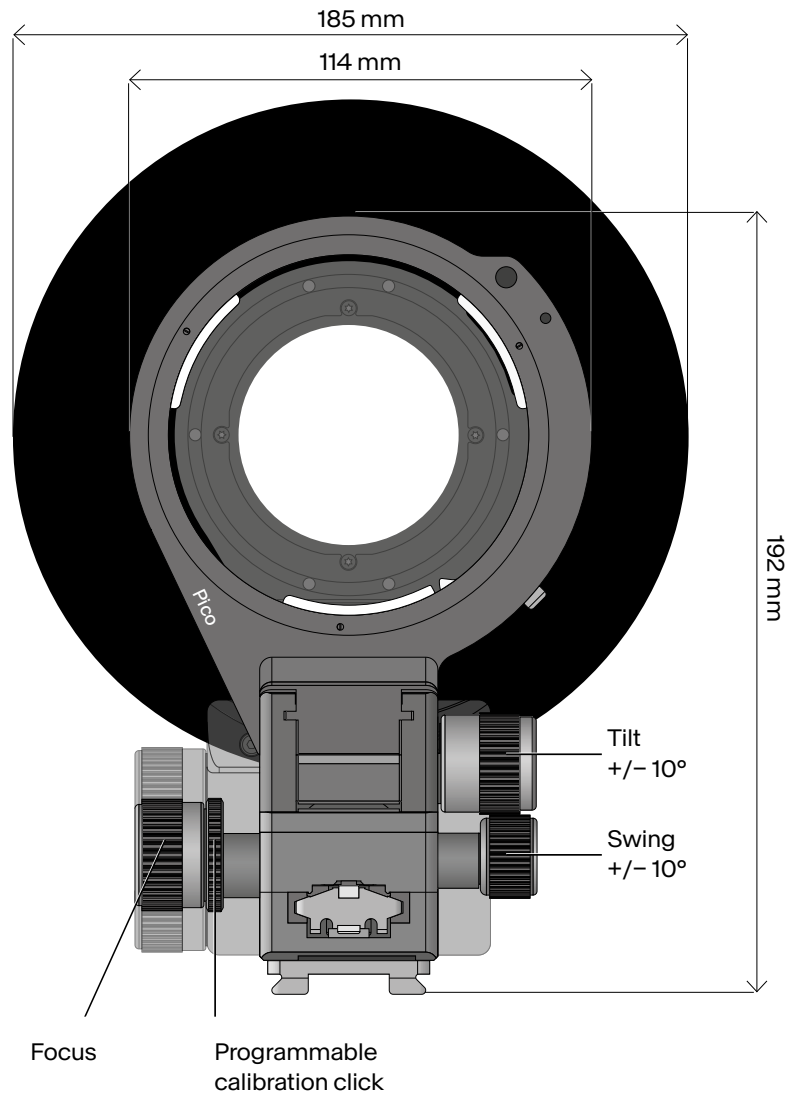


Technical specifications



Extension

Rear Horizontal Shift

± 20 mm self-locking micro-metric geared with indicative detents every 3 mm

Rear Vertical Shift

± 20 mm self-locking micro-metric geared with indicative detents every 3 mm

Front Micro-Obix® Tilt ±10° self-locking micro-metric geared with indicative detents every degree

Front Swing ±10° self-locking micro-metric geared with indicative detents every degree

Focus control self-locking micro-metric geared with programmable detent for calibration

Net weight * 950 grams

Material high-grade aluminum

Monorail 10 cm and 15 cm rail supplied aside

Bellows leather with front and rear magnet

Levels Three tubular levels, easily viewed on the rear carrier

Lens Mount new B-mount with quarter turn bayonet and release button

Special features

Rear adapter with fast locking lever

Rotating rear adapter for portrait landscape orientation

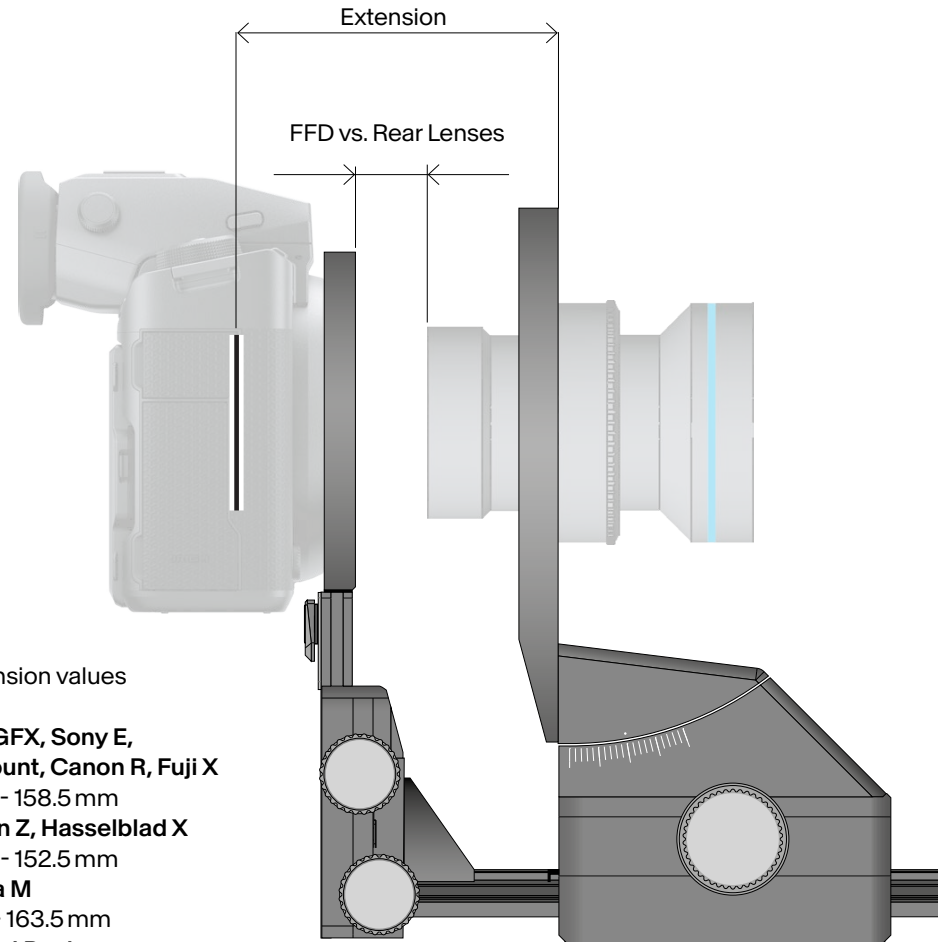
Front Frame with Micro HDMI connection

for transfer of aperture control communication

Rear frame magnetic connection

for Aperture Control module

* Without bellows, adapter, and base plate



Extension values

Fuji GFX, Sony E, L-Mount, Canon R, Fuji X
46.5 - 158.5 mm

Nikon Z, Hasselblad X
40.5 - 152.5 mm

Leica M
51.5 - 163.5 mm

Digital Back
35.5 - 147.5 mm

Minimum with 010905, Lens board Pico, 10 mm recessed

Maximum with 15 cm rail