

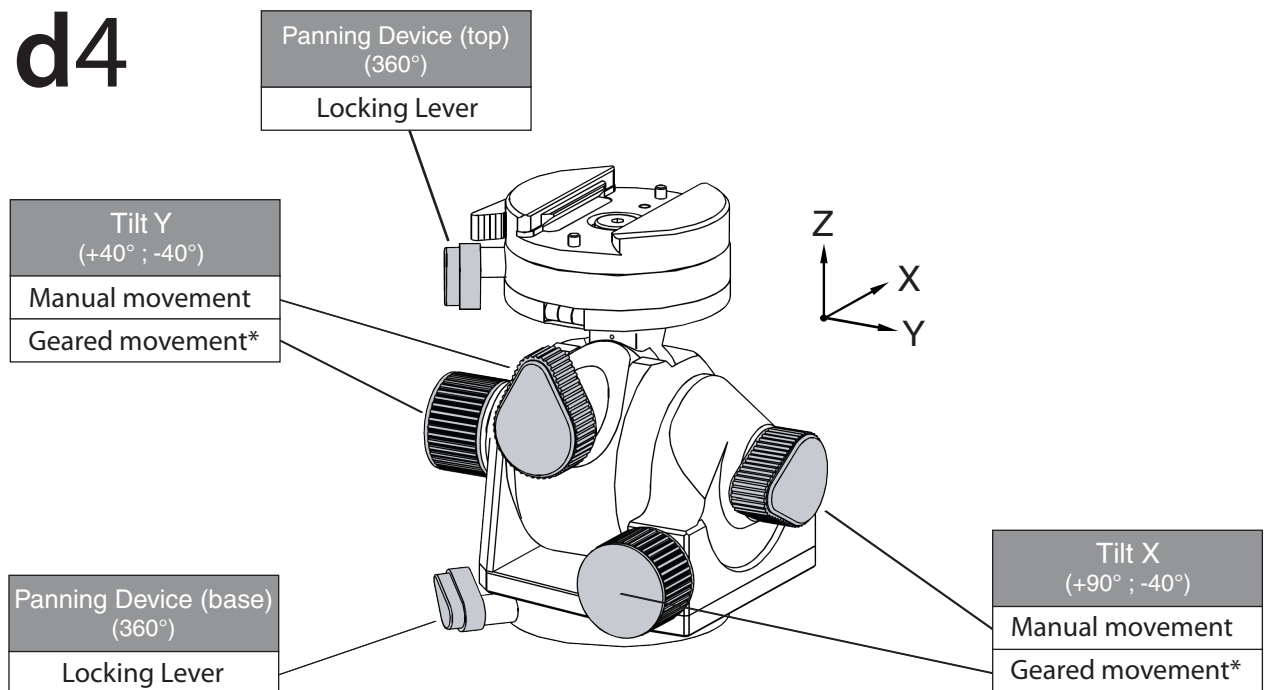
Guide d'utilisation ARCA-SWISS d4-series

Congratulations on the purchase of your new D4 head. We appreciate your business.

When first using your D4, the gears may feel a bit stiff and require a bit of effort, in some cases, to turn the geared knob. This is normal and, after a couple of weeks or so of use, this the head will break in and smooth out.

Remember also, that large movements should be made by loosening the teardrop knobs, and re-tightening when near your chosen position. Then fine tune your composition with the round gear knobs.

You should enjoy your D4 for many years to come.



* Manual movement lever must be locked to use geared movement.

